

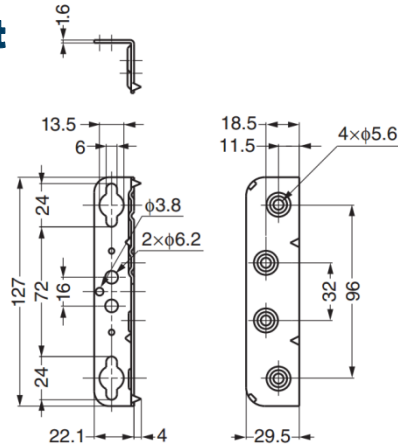
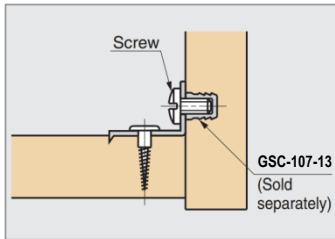
GBF-810 Connecting Part

Sold Separately

- GSC-107-13

Recommended Screw

- Tapping screw M6 x 10

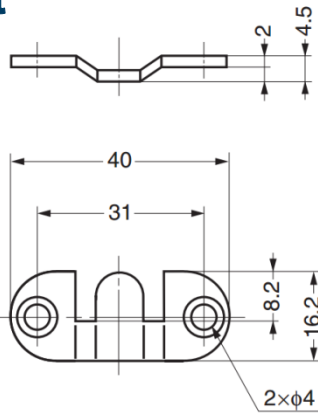
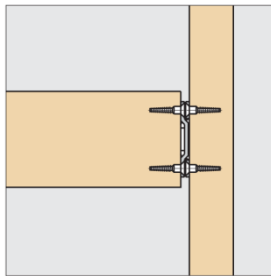


| Part No. | Material | Finish |
|----------|----------|----------------------|
| GBF-810 | Steel | Yellow Zinc Chromate |

GBF-857 Connecting Part

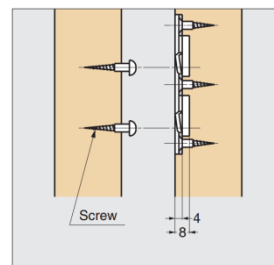
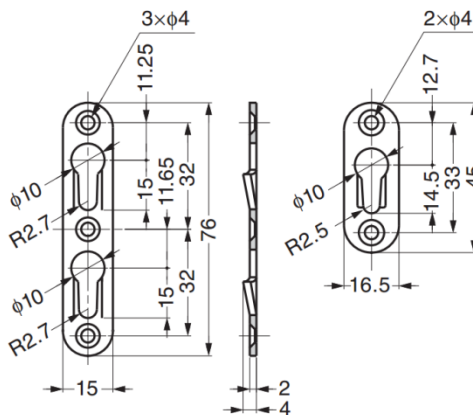
Sold Separately

- To use 2 pcs as a set



| Part No. | Material | Finish |
|----------|----------|----------------------|
| GBF-857 | Steel | Yellow Zinc Chromate |

GBF-K Connecting Part



| Part No. | Material | Finish |
|----------|----------|---------------------|
| GBF-KW | Steel | Clear Zinc Chromate |
| GBF-KS | | |